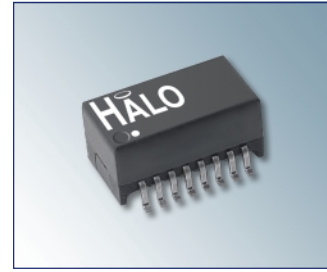


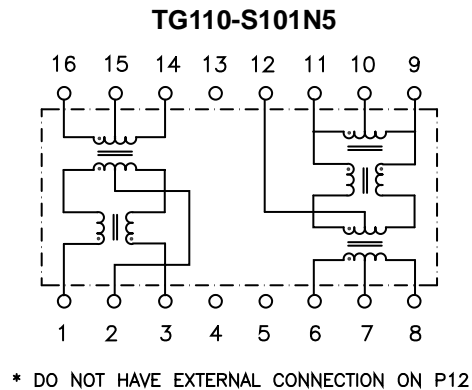
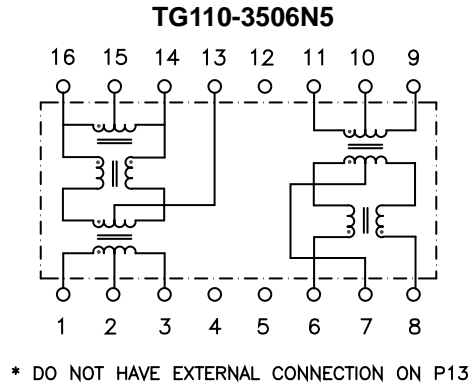
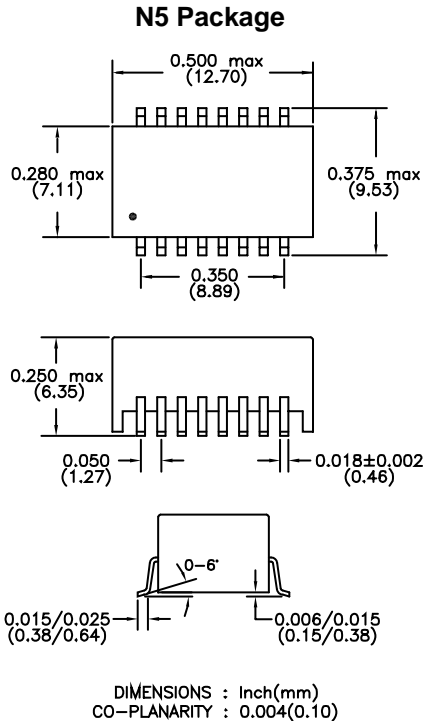
HALO Ultra-II™ with Auto-Transformer

ELECTRONICS, INC. 10/100BASE-TX SOIC-16 Magnetic Modules

HALO Electronics is pleased to offer the Ultra-II™, the industry's first "Auto-Transformer" version SOIC-16 Fast Ethernet magnetics. The IEEE802.3 compliant Ultra™ series was originally developed by HALO as the first miniature 10/100 solution for real estate and cost sensitive applications. The Ultra-II™ now offers the same high performance while providing the TX auto-transformer for EMC sensitive applications.



Ultra-II™ with Auto-Transformer
10/100BASE-TX SOIC-16 Magnetic Modules



Patented Construction

- US Patents: 5,656,985
6,297,721 B1
6,297,720 B1
6,320,489 B1
6,344,785 B1

Electrical Specifications @ 25°C

- Isolation Voltage: 1,500Vrms
Operating Temp: 0-70°C
OCV @100KHz, 8mA: 350µH min
Crosstalk (0.1-100MHz): -40dB min



RoHS compliant versions are available.
Specify RoHS compliant product by adding the suffix "RL".

Part Number	Turns Ratio ±3% 1CT:1CT / 1CT:1CT TX / RX	CMR (0.1-100MHz) (dB typ)	PRI/SEC Cw/w (pF typ)	PRI DCR (max)
TG110-3506N5	(1-3:16-14) / (6-8:11-9)	-40	30	1.0
TG110-S101N5	(6-8:11-9) / (1-3:16-14)	-40	30	1.0